

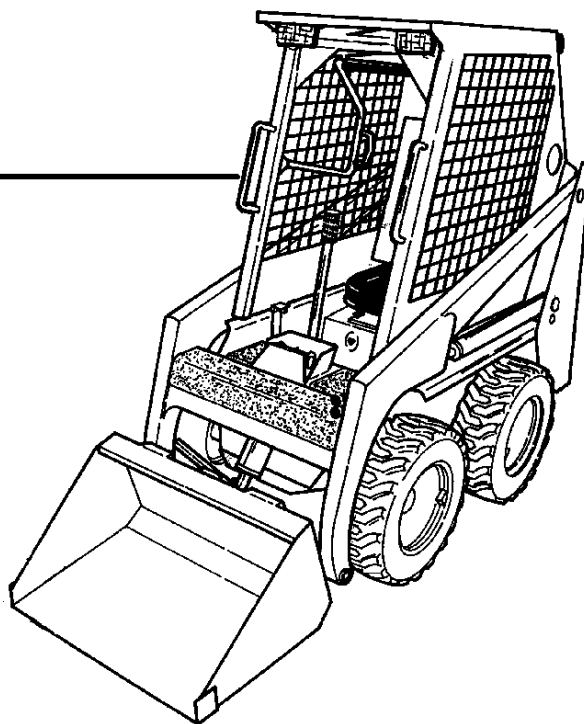
**453**



**Bobcat®**

# Parts Manual

**S/N 5618 11001 & Above**  
**S/N 5619 11001 & Above**  
**S/N 5150 11001 & Above**  
**S/N 5151 11001 & Above**



**EQUIPPED WITH  
BOBCAT INTERLOCK  
CONTROL SYSTEM (BICS™)**

6724366 (10-00) Revised (2-02)



Printed in U.S.A.

© Bobcat Company 2002

## 453 ALPHABETICAL INDEX

AIR CLEANER .....	186, 187	INJECTION PUMP .....	148, 149, 176, 178
ALTERNATOR .....	108, 110	INJECTOR NOZZLES .....	151, 182
ANTI-FREEZE .....	254	LEVER, PINTLE .....	64
AUXILIARY HYDRAULICS ---	190, 192, 194	LEVER, STEERING .....	64
AXLE .....	36	LIFT ARM .....	24
BATTERY .....	92, 96	LIFT, SINGLE POINT .....	245
BELT, ALTERNATOR .....	114, 122	MAIN FRAME .....	12
BELT, DRIVE .....	112, 120	MANIFOLD, EXHAUST .....	147, 175
BLACK GOLD .....	254	MANIFOLD, INTAKE .....	147, 175
BLOCK HEATER .....	198	MOTOR, HYDRO .....	84, 86
BLOCK, ENG. ....	135, 164	MOUNT, ENGINE .....	114, 122
BLOWER, WHEEL .....	114, 116	MOUNT, HYD. PUMP .....	62
BOB-TACH .....	26	MUFFLER .....	114, 118
BOOT, RUBBER .....	33	OIL .....	254
BRAKE .....	38	OIL COOLER .....	58
BRAKE, CALIPER .....	214	OIL FILTER, ENGINE .....	134, 162
CAB .....	14	OIL PAN .....	132, 160
CAB ENCLOSURE .....	200, 202	OIL PUMP, ENGINE .....	164
CABLE, BATTERY .....	92, 96	PAINT .....	254
CABLE, SHUT OFF .....	123	PINTLE LEVER .....	64
CAMSHAFT .....	140, 168	PISTON, ENG. ....	138, 166
CAMSHAFT, FUEL .....	141, 169	PUMP, FUEL .....	148, 176
CAP, FUEL .....	28, 30	PUMP, GEAR .....	81
CAP, HYD. OIL .....	58	PUMP, HYDROSTATIC .....	65, 68, 72, 80
CAP, RADIATOR .....	112, 116	PUMP, INJECTION .....	148, 149, 176, 178
CHAIN, DRIVE .....	35	PUMP, OIL .....	136
CHAINCASE .....	12	PUMP, WATER .....	145, 173
CONTROLS HAND .....	64	RADIATOR .....	112, 116
COVER, VALVE .....	128, 156	RENTAL KIT .....	234, 238
CRANKCASE .....	135, 164	RIMS .....	252
CRANKSHAFT .....	138, 166	RING GEAR .....	112, 120
CYLINDER, LIFT .....	47	SEAT .....	21, 250, 251
CYLINDER, TILT .....	48	SEAT BAR .....	18
DECAL KIT .....	206, 208	SEAT BAR KIT .....	239
DECALS .....	205, 207	SEAT BELT .....	16, 241
DIPSTICK, ENG. OIL .....	132, 160	SOLENOID .....	92, 96
DOOR, CAB .....	200, 202	SOLENOID, SHUTDOWN .....	172
DOOR, REAR .....	31, 32	SOUND OPTION .....	220
ENGINE .....	127, 154	STARTER .....	101, 103, 106
EXHAUST PIPE .....	31, 32	STROBE LIGHT .....	247
EXT RMVL R WIN KIT .....	221	SWITCH, ENG. OIL PRESS. ....	92, 96, 164
FILTER, AIR .....	186, 187	SWITCH, HYDRO. PRESS. ....	92, 96
FILTER, ENGINE OIL .....	114, 122, 134, 162	SWITCH, HYDRO. TEMP .....	92, 96
FILTER, FUEL .....	185	TANK, FUEL .....	28, 30
FILTER, HYD. OIL .....	58	THERMOSTAT .....	146, 174
FIRE EXTINGUISHER .....	222	THROTTLE .....	123, 125
FLYWHEEL .....	112, 120	TIRES .....	252
FUEL PUMP .....	28, 30, 176	VALVE COVER .....	128, 156
FUEL SYSTEM .....	28, 30	VALVE, ENG .....	130, 158
FUEL VALVE KIT .....	223	VALVE, HYD. ....	52
GASKET KIT ENGINE .....	127, 154	WATER PUMP .....	145, 173
GAUGE .....	28, 30	WEIGHT .....	12
GEARCASE .....	134, 162	WINDOW, REAR .....	202, 232
GLOW PLUG .....	150, 179	WINDOW, SIDE .....	204
HARDHAT .....	246	WINDOW, TOP .....	202
HARNESS, ENGINE .....	92, 96		
HARNESS, LIGHTS .....	226		
HEAD, CYLINDER .....	131, 159		

# 453 CONTENTS

<b>MAIN FRAME</b> .....	<b>12-34</b>
MAIN FRAME .....	12-13
OPERATOR CAB .....	14-15
SEAT & SEAT BAR .....	16-21
SEAT .....	22-23
LIFT ARMS & BOB-TACH .....	24-25
BOB-TACH .....	26-27
FUEL SYSTEM .....	28-31
REAR DOOR .....	32-33
PANELS .....	34
<b>DRIVE TRAIN</b> .....	<b>36-39</b>
DRIVE TRAIN .....	36
AXLE .....	37
BRAKES .....	38-39
<b>HYDRAULIC SYSTEM</b> .....	<b>40-56</b>
HYDRAULIC CIRCUITRY .....	40-44
HYDRAULIC CIRCUITRY, W/BUCKET POSITIONING VALVE .....	45-47
LIFT CYLINDER .....	48
TILT CYLINDER .....	49
BICS BLOCK .....	50-51
HYDRAULIC VALVE .....	52-55
CONTROL PEDALS .....	56
<b>HYDROSTATIC SYSTEM</b> .....	<b>58-87</b>
HYDROSTATIC CIRCUITRY .....	58-63
HAND CONTROLS .....	64-65
HYDROSTATIC PUMP .....	66-81
GEAR PUMP .....	82
HYDROSTATIC MOTOR .....	84-87
<b>ELECTRICAL SYSTEM</b> .....	<b>88-111</b>
CAB ELECTRICAL CIRCUITRY .....	88-91
ENGINE ELECTRICAL CIRCUITRY .....	92-99
CONTROLS ELECTRICAL .....	100
STARTER .....	102-103
STARTER (SEALED) .....	104-105
STARTER (1,4 KW) .....	106-107
ALTERNATOR .....	108-111
<b>ENGINE &amp; ATTACHING PARTS</b> .....	<b>112-188</b>
ENGINE & ATTACHING PARTS .....	112-123
THROTTLE & SHUT OFF CABLE .....	124
THROTTLE .....	126-127
ENGINE .....	128
ROCKER ARM COVER (KUBOTA D750) .....	129
ROCKER ARM & VALVES (KUBOTA D750) .....	130-131
CYLINDER HEAD (KUBOTA D750) .....	132
OIL PAN (KUBOTA D750) .....	133
GEARCASE (KUBOTA D750) .....	134-135
CRANKCASE (KUBOTA D750) .....	136-137
PISTON & CRANKSHAFT (KUBOTA D750) .....	138-139
MAIN BEARING CASE (KUBOTA D750) .....	140
CAMSHAFT (KUBOTA D750) .....	141
FUEL CAMSHAFT (KUBOTA D750) .....	142
STOP LEVER (KUBOTA D750) .....	143
GOVERNOR GROUP (KUBOTA D750) .....	144
SPEED CONTROL PLATE (KUBOTA D750) .....	145
WATER PUMPE (KUBOTA D750) .....	146
WATER FLANGE & THERMOSTAT (KUBOTA D750) .....	147
MANIFOLDS (KUBOTA D750) .....	148
FUEL & INJECTION PUMP (KUBOTA D750) .....	149
INJECTION PUMP (KUBOTA D750) .....	150
INJECTION NOZZLES (KUBOTA D750) .....	151
INJECTOR HOLDER (KUBOTA D750) .....	152
ENGINE & GASKET KITS (KUBOTA D722) .....	154-155
ROCKER ARM COVER (KUBOTA D722) .....	156-157
ROCKER ARM & VALVES (KUBOTA D722) .....	158-159
CYLINDER HEAD (KUBOTA D722) .....	160

## 453 CONTENTS (Cont'd)

<b>ENGINE &amp; ATTACHING PARTS (CONT'D)</b> .....	<b>112-188</b>
OIL PAN (KUBOTA D722) .....	161
GEARCASE (KUBOTA D722) .....	162-163
CRANKCASE (KUBOTA D722) .....	164-165
PISTON & CRANKSHAFT (KUBOTA D722) .....	166-167
MAIN BEARING CASE (KUBOTA D722) .....	168
CAMSHAFT (KUBOTA D722) .....	169
FUEL CAMSHAFT (KUBOTA D722) .....	170
GOVERNOR GROUP (KUBOTA D722) .....	171
SPEED CONTROL PLATE (KUBOTA D722) .....	172
SPEED CONTROL & STOP LEVER (KUBOTA D722) .....	173
WATER PUMPE (KUBOTA D722) .....	174
WATER FLANGE & THERMOSTAT (KUBOTA D722) .....	175
MANIFOLDS (KUBOTA D722) .....	176
FUEL & INJECTION PUMP (KUBOTA D722) .....	177
INJECTION PUMP (KUBOTA D722) .....	178-179
INJECTION NOZZLES (KUBOTA D722) .....	180-181
INJECTOR HOLDER (KUBOTA D722) .....	182-185
FUEL FILTER .....	186
AIR CLEANER .....	187-188
<b>ACCESSORIES &amp; OPTIONS</b> .....	<b>191-256</b>
AUXILIARY HYDRAULIC KIT .....	191-196
BACK-UP ALARM .....	197-198
BEACON LIGHT .....	199
BLOCK HEATER .....	200
BUCKET POSITION ON-OFF KIT .....	201
CAB ENCLOSURE .....	202-204
CAB WINDOWS .....	205-206
DECALS .....	207-210
EXPORT ACCESSORIES .....	211-222
EXTERNAL WINDOW REMOVAL KIT .....	223
FIRE EXTINGUISHER .....	224
FUEL VALVE KIT .....	225
HORN KIT .....	226
KEYLESS IGNITION .....	227
LIGHT KIT .....	228
LOCKING CAP & COVER .....	229
MUFFLER/PURIFIER KIT .....	230-231
PUSH TO OPERATE KIT .....	233
REAR WINDOW .....	234
RENTAL KIT .....	235-240
SEAT BAR KIT .....	241-242
SEAT BELT .....	243
SEAT KIT .....	245-246
SINGLE POINT LIFT .....	247
SOUND REDUCTION HARDHAT .....	248
STROBE LIGHT .....	249
SUSPENSION SEAT .....	251-253
TIRES & RIMS .....	254
BULK ITEMS .....	255-256
<b>NUMERICAL INDEX</b> .....	<b>257-301</b>
NUMERICAL INDEX .....	257-301

## 453 CONTENTS

<b>MAIN FRAME</b> .....	<b>12-34</b>
MAIN FRAME .....	12-13
OPERATOR CAB .....	14-15
SEAT & SEAT BAR .....	16-21
SEAT .....	22-23
LIFT ARMS & BOB-TACH .....	24-25
BOB-TACH .....	26-27
FUEL SYSTEM .....	28-31
REAR DOOR .....	32-33
PANELS .....	34
<b>DRIVE TRAIN</b> .....	<b>36-39</b>
DRIVE TRAIN .....	36
AXLE .....	37
BRAKES .....	38-39
<b>HYDRAULIC SYSTEM</b> .....	<b>40-56</b>
HYDRAULIC CIRCUITRY .....	40-44
HYDRAULIC CIRCUITRY, W/BUCKET POSITIONING VALVE .....	45-47
LIFT CYLINDER .....	48
TILT CYLINDER .....	49
BICS BLOCK .....	50-51
HYDRAULIC VALVE .....	52-55
CONTROL PEDALS .....	56
<b>HYDROSTATIC SYSTEM</b> .....	<b>58-87</b>
HYDROSTATIC CIRCUITRY .....	58-63
HAND CONTROLS .....	64-65
HYDROSTATIC PUMP .....	66-81
GEAR PUMP .....	82
HYDROSTATIC MOTOR .....	84-87
<b>ELECTRICAL SYSTEM</b> .....	<b>88-111</b>
CAB ELECTRICAL CIRCUITRY .....	88-91
ENGINE ELECTRICAL CIRCUITRY .....	92-99
CONTROLS ELECTRICAL .....	100
STARTER .....	102-103
STARTER (SEALED) .....	104-105
STARTER (1,4 KW) .....	106-107
ALTERNATOR .....	108-111
<b>ENGINE &amp; ATTACHING PARTS</b> .....	<b>112-188</b>
ENGINE & ATTACHING PARTS .....	112-123
THROTTLE & SHUT OFF CABLE .....	124
THROTTLE .....	126-127
ENGINE .....	128
ROCKER ARM COVER (KUBOTA D750) .....	129
ROCKER ARM & VALVES (KUBOTA D750) .....	130-131
CYLINDER HEAD (KUBOTA D750) .....	132
OIL PAN (KUBOTA D750) .....	133
GEARCASE (KUBOTA D750) .....	134-135
CRANKCASE (KUBOTA D750) .....	136-137
PISTON & CRANKSHAFT (KUBOTA D750) .....	138-139
MAIN BEARING CASE (KUBOTA D750) .....	140
CAMSHAFT (KUBOTA D750) .....	141
FUEL CAMSHAFT (KUBOTA D750) .....	142
STOP LEVER (KUBOTA D750) .....	143
GOVERNOR GROUP (KUBOTA D750) .....	144
SPEED CONTROL PLATE (KUBOTA D750) .....	145
WATER PUMPE (KUBOTA D750) .....	146
WATER FLANGE & THERMOSTAT (KUBOTA D750) .....	147
MANIFOLDS (KUBOTA D750) .....	148
FUEL & INJECTION PUMP (KUBOTA D750) .....	149
INJECTION PUMP (KUBOTA D750) .....	150
INJECTION NOZZLES (KUBOTA D750) .....	151
INJECTOR HOLDER (KUBOTA D750) .....	152
ENGINE & GASKET KITS (KUBOTA D722) .....	154-155
ROCKER ARM COVER (KUBOTA D722) .....	156-157
ROCKER ARM & VALVES (KUBOTA D722) .....	158-159
CYLINDER HEAD (KUBOTA D722) .....	160

## 453 CONTENTS (Cont'd)

<b>ENGINE &amp; ATTACHING PARTS (CONT'D)</b> .....	<b>112-188</b>
OIL PAN (KUBOTA D722) .....	161
GEARCASE (KUBOTA D722) .....	162-163
CRANKCASE (KUBOTA D722) .....	164-165
PISTON & CRANKSHAFT (KUBOTA D722) .....	166-167
MAIN BEARING CASE (KUBOTA D722) .....	168
CAMSHAFT (KUBOTA D722) .....	169
FUEL CAMSHAFT (KUBOTA D722) .....	170
GOVERNOR GROUP (KUBOTA D722) .....	171
SPEED CONTROL PLATE (KUBOTA D722) .....	172
SPEED CONTROL & STOP LEVER (KUBOTA D722) .....	173
WATER PUMPE (KUBOTA D722) .....	174
WATER FLANGE & THERMOSTAT (KUBOTA D722) .....	175
MANIFOLDS (KUBOTA D722) .....	176
FUEL & INJECTION PUMP (KUBOTA D722) .....	177
INJECTION PUMP (KUBOTA D722) .....	178-179
INJECTION NOZZLES (KUBOTA D722) .....	180-181
INJECTOR HOLDER (KUBOTA D722) .....	182-185
FUEL FILTER .....	186
AIR CLEANER .....	187-188
<b>ACCESSORIES &amp; OPTIONS</b> .....	<b>191-256</b>
AUXILIARY HYDRAULIC KIT .....	191-196
BACK-UP ALARM .....	197-198
BEACON LIGHT .....	199
BLOCK HEATER .....	200
BUCKET POSITION ON-OFF KIT .....	201
CAB ENCLOSURE .....	202-204
CAB WINDOWS .....	205-206
DECALS .....	207-210
EXPORT ACCESSORIES .....	211-222
EXTERNAL WINDOW REMOVAL KIT .....	223
FIRE EXTINGUISHER .....	224
FUEL VALVE KIT .....	225
HORN KIT .....	226
KEYLESS IGNITION .....	227
LIGHT KIT .....	228
LOCKING CAP & COVER .....	229
MUFFLER/PURIFIER KIT .....	230-231
PUSH TO OPERATE KIT .....	233
REAR WINDOW .....	234
RENTAL KIT .....	235-240
SEAT BAR KIT .....	241-242
SEAT BELT .....	243
SEAT KIT .....	245-246
SINGLE POINT LIFT .....	247
SOUND REDUCTION HARDHAT .....	248
STROBE LIGHT .....	249
SUSPENSION SEAT .....	251-253
TIRES & RIMS .....	254
BULK ITEMS .....	255-256
<b>NUMERICAL INDEX</b> .....	<b>257-301</b>
NUMERICAL INDEX .....	257-301

# HIGH MAINTENANCE ITEMS

## MODEL 453

PART NO.	DESCRIPTION	PAGE #
1	3974113 ENGINE OIL FILTER (5618 11001 & Ab. & 5619 11001 & Ab.)	115
2	6671057 ENGINE OIL FILTER (5150 11001 & Ab. & 5151 11001 & Ab.)	163
3	3885315 FUEL FILTER (5618 11001 & AB. & 5619 11001 & Ab.)	186
4	6667352 FUEL FILTER (5150 11001 & AB. & 5151 11001 & Ab.)	31
5	897064 AIR CLEANER	187
6	6630156 RADIATOR CAP	113
7	6599543 HYDROSTATIC FILTER, # 10 MICRON	59
8	6674687 BATTERY	93
9	6722344 BLACK GOLD Hyd. / Hydro. Fluid - 5 Gallons	256
10	6563328 BLACK GOLD Hyd. / Hydro. Fluid - 2-2 1/2 Gal. (5 Gal.)	256
11	6563330 BLACK GOLD Hyd. / Hydro. Fluid - 55 Gallon Drum	256
	(HYDRAULIC RESERVOIR CAPACITY)	5.3 Qts. ( 5 L.)
	(HYDRAULIC/HYDROSTATIC SYSTEM)	4.0 Gals. ( 15 L.)
12	6674204 MOTOR OIL 15W40 CE/SG -2.5 Gal..	256
13	6657299 MOTOR OIL 15W40 CE/SG -1 Qt.	256
14	6724558 MOTOR OIL 15W40 CE/SG - 1 Gal..	256
15	6674205 MOTOR OIL 10W30 CE/SG - 2.5 Gal.	256
16	6657301 MOTOR OIL 10W30 CE/SG -1 Qt.	256
17	6724557 MOTOR OIL 10W30 CE/SG - 1 Gal.	256
18	6674206 MOTOR OIL 30 CE/SG - 2.5 Gal..	256
19	6657303 MOTOR OIL 30 CE/SG -1 Qt.	256
20	6724559 MOTOR OIL 30 CE/SG - 1 Gal.	256
	(ENGINE OIL W/FILTER CAPACITY)	4 Qts. ( 3,8 L.)

# GENERAL INFORMATION

When using the machine serial number, use the complete number. When Serial Numbers do not appear below the page heading, parts information applies to all loaders.

Some Serial Number breaks are not available at time of printing. These are listed as & Below or & Above.

The number shown in the quantity column in this manual is the number of parts needed for the illustration on the page. For some parts an "x" will be shown in the quantity column. This "x" indicates that the quantity to be used is "As Needed".

When references L.H. and R.H. are used in this manual, it is done from the operator's seat in the forward operating position.

To find the size and kind of bolt use the Bobcat Standard Microfiche (P/N 6566077).

Some of the illustrations and information found in this parts manual were supplied to Bobcat Company by machine component companies.

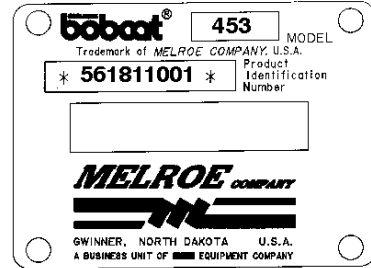
## ABBREVIATIONS & SYMBOLS

- SALES = Order from Gwinner Sales Department
- NSS = Not Serviced Separately
- NAP = Not Available as Parts
- \* = Changed or Added Sections, Pages or Part Number

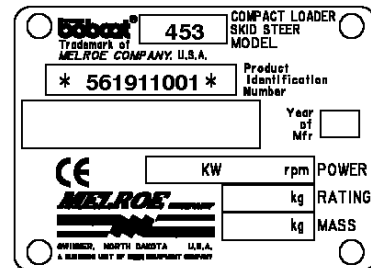
### Disposition Code Definition (Found in the Remarks Column)

- [A] = Use Up
- [B] = Use Up on Other Application (See PNI)
- [C] = File PDR Report With Melroe Parts Sales
- [D] = Part Number Error

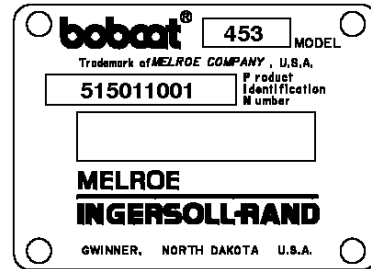
Explications en francais	Grid Nb	3
Erklärungen auf deutsch	Grid Nb	4
Spiegazioni in italiano	Grid Nb	5
Explicaciones en espanol	Grid Nb	6
Verklaring in het Nederlands	Grid Nb	7



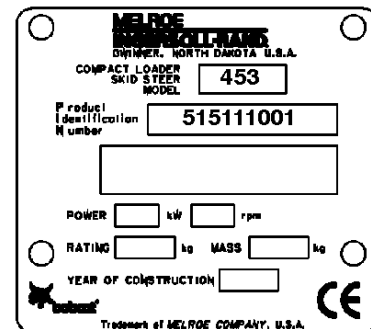
DOMESTIC



EXPORT



DOMESTIC



EXPORT



# NOTE D'INFORMATION

Pour toute référence au numéro de série de l'engin, toujours donner le numéro complet.

Le chiffré apparaissant dans la colonne des quantités de ce manuel représentent le nombre de pièces nécessaires pour l'illustration reprise sur la page. Dans certains cas, on lira un "x" dans la colonne des quantités. Cet "x" indique que la quantité nécessaire est "selon besoin".

Pour toute référence vers la GAUCHE ou la DROITE dans ce manuel, considérer que la personne se trouve assise dans le siège de l'opérateur, en position de fonctionnement en marche avant.

Certaines illustrations et informations reprises dans ce manuel de pièces de rechange ont été fournies à Bobcat par des fabricants de composants.

## ABREVIATIONS & SYMBOLES

<b>SALES</b>	= Commander au Service Ventes à Bruxelles
<b>NSS</b>	= Pas vendu séparément
<b>NAP</b>	= Non disponible comme pièce de rechange
<b>*</b>	= Chapitre, page ou numéro de pièce modifié ou supplémentaire
<b>BTI</b>	= Bobcat Technical Information Bulletin : voir à la fin de la microfiché du modèle concerné ou la microfiche générale reprenant l'ensemble des "BTI".
<b>was 6535403</b>	= était avant 6535403
<b>adj. (adjustment)</b>	= réglage
<b>Assembly</b>	= ensemble
<b>available W/Ref.</b>	= disponible avec réf.
<b>bulk/sold per foot</b>	= en vrac/vendu par pied
<b>does not include</b>	= ne comprend pas
<b>included with</b>	= compris dans
<b>I.D.</b>	= D.I. (diamètre intérieur)
<b>O.D.</b>	= D.E. (diamètre extérieur)
<b>not in kit</b>	= pas en kit
<b>W/ - WO/</b>	= inclus/ - non inclus/
<b>Qty</b>	= quantité requise
<b>see page/ref.</b>	= voir page/réf.
<b>used with ref/</b>	= utilisé avec réf.
<b>0,05 inch thickness</b>	= 0,05 pouce d'épaisseur (un pouce = 25.4 mm)
<b>weld on</b>	= à souder

# ALLGEMEINE INFORMATIONEN

Bei Angabe der Maschinen-Seriennummer stets die komplette Nummer angeben.

Bei der in der Mengenspalte (Anzahl) in diesem Handbuch angegebenen Zahl handelt es sich um die Anzahl von Teilen, die für die Abbildung auf der betreffenden Seite benötigt werden. Bei manchen Teilen in der Mengenspalte ist ein "x" angegeben. Dieses "x" weist darauf hin, dass sich die Anzahl der verwendeten Teile auf den "Bedarf" bezieht.

Bei Verwendung der Seitenangaben links und rechts in diesem Handbuch gelten diese für die Blickrichtung vom Fahrersitz aus, und zwar in Vorwärts-Betriebsrichtung.

Einige der in diesem Ersatzteilhandbuch aufgeführten Abbildungen und Informationen wurden der Bobcat von den Herstellern von Maschinenbauteilen zur Verfügung gestellt.

## ABKÜRZUNGEN UND SYMBOLE

<b>SALES</b>	= Bestellung bei der Verkaufsabteilung in Brüssel
<b>NSS</b>	= Nicht einzeln erhältlich
<b>NAP</b>	= Nicht als Ersatzteil erhältlich
<b>*</b>	= Geänderte oder hinzugefügte Abschnitte, Seiten oder Teilenummern
<b>BTI</b>	= Bobcat Technical Information Bulletin : Siehe am Ende der Mikrokarte des jeweiligen Modells oder der allgemeinen Mikrokarte der BTI.
<b>was 6535403</b>	= War 6535403
<b>adj.</b>	= Einstellung
<b>Assembly</b>	= Baugruppe
<b>available W/Ref.</b>	= erhältlich mit der Referenz
<b>bulk/sold per foot</b>	= Mengenabnahme / Verkauf pro Fuss
<b>does not include</b>	= beinhaltet nicht
<b>included with</b>	= enthalten in
<b>I.D.</b>	= Innendurchmesser
<b>O.D.</b>	= Aussendurchmesser
<b>not in kit</b>	= nicht in Bausatz
<b>W/ - WO/</b>	= mit/ - ohne/
<b>Qty</b>	= Anzahl
<b>see page/ref.</b>	= Siehe Seite / Referenz
<b>used with ref.</b>	= verwendet mit Referenz
<b>0.05 inch thickness</b>	= Dicke : 0.05 Zoll (ein Zoll = 25.4 mm)
<b>weld on</b>	= anschweißen

# INFORMAZIONI GENERALI

Quando si usa il numero di serie della macchina usare il numero completo.

Il numero mostrato nella colonna della quantità di questo manuale corrisponde al numero di componenti necessari per l'illustrazione della pagina. Per alcuni componenti appare "X" nella colonna delle quantità. Questa "X" indica che la quantità da usare è "come necessario".

See in questo manuale si fa riferimento alla parte destra o sinistra, si intende dal sedile dell'operatore nella posizione in avanti di funzionamento.

Alcune delle illustrazioni e informazioni trovate in questo manuale di componenti sono state fornite alla Bobcat da società di componenti di macchine.

## SIMBOLI E ABBREVIAZIONI

<b>SALES</b>	= Ordinare al servizio vendite di Bruxelles
<b>NSS</b>	= Non vendute separatamente
<b>NAP</b>	= Non disponibile come componente
<b>*</b>	= Sezioni, pagine o numeri di componente cambiati o aggiunti
<b>BTI</b>	= (Bobcat Technical information) Ved. al termine del microfiche del modello relativo oppure microfiche generale
<b>was 6535403</b>	= era 6535403
<b>adj. (adjustment)</b>	= regol. (regolazione)
<b>Assembly</b>	= Complessivo
<b>available W/ref.</b>	= disponibile con rif.
<b>bulk/sold per foot</b>	= alla rinfusa/venduto al piede
<b>does not include</b>	= non comprende
<b>Included with</b>	= compreso con
<b>I.D.</b>	= d. i.
<b>O.D.</b>	= d. e.
<b>not in kit</b>	= non fa parte del kit
<b>W/ - WO/</b>	= con - senza
<b>Qty</b>	= Qtà
<b>see page/ref</b>	= ved. pagina/rif.
<b>used with ref.</b>	= usato con il rif.
<b>0,05 inch thickness</b>	= spessore 0,05 pollici (un pollice = 25,4 mm)
<b>weld on</b>	= a saldare

# INFORMACION GENERAL

Al utilizar el número de serie de la máquina, debe emplearse el número completo.

El número que figura en la columna de "Unidades" en este manual es el número de piezas que se necesitan para la ilustración que consta en la página. En algunas piezas aparece una "x" en la columna de "Unidades". Esta "x" indica que las unidades a utilizar son "según sea necesario".

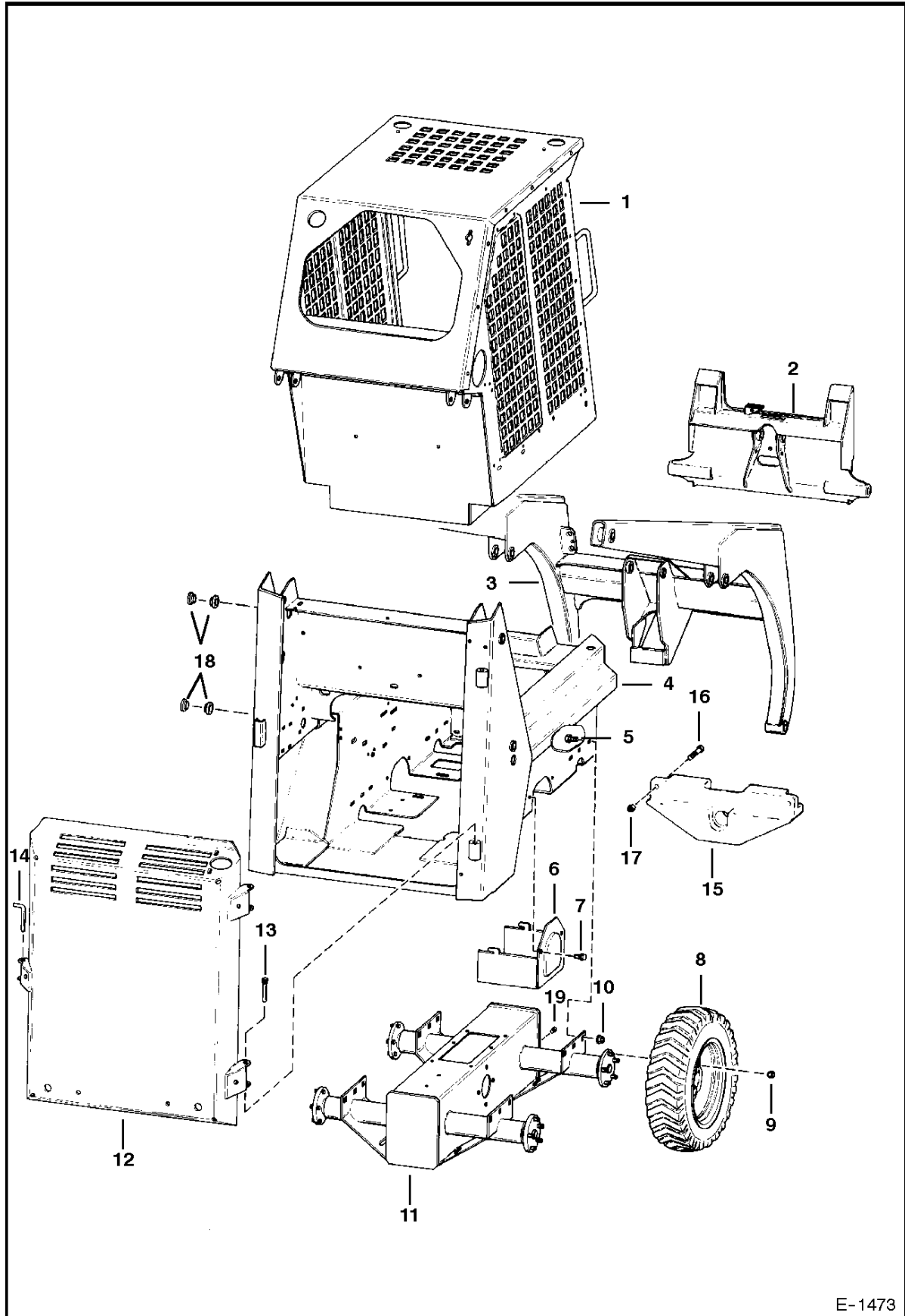
Cuando se empleen las referencias izq. y dcha., éstas se entienden mirando desde el asiento del conductor, en posición de marcha adelante.

Algunas de las ilustraciones y la información que figuran en este manual de piezas han sido facilitadas a Bobcat por empresas de componentes de máquinas.

## ABREVIATURAS Y SIMBOLOS

<b>VENTAS</b>	= Pedido al Departamento de Ventas de Bruselas
<b>NSS</b>	= No se vende por separado
<b>NAP</b>	= No disponible como pieza de repuesto
<b>*</b>	= Secciones, páginas o referencias modificadas o añadidas
<b>BTI</b>	= (Bobcat Technical Information) Ver al final de la microficha del modelo afectado o en la microficha general "Boletín de Información Técnica Bobcat".
<b>was 6535403</b>	= era anteriormente el 6535403
<b>adj. (adjustment)</b>	= ajuste
<b>assembly</b>	= conjunto
<b>available W/Ref.</b>	= disponible con la ref.
<b>bulk/sold per foot</b>	= a granel/vendido por pies
<b>does not include</b>	= no incluye
<b>included with</b>	= incluido en
<b>I.D.</b>	= diámetro interior
<b>O.D.</b>	= diámetro exterior
<b>not in kit</b>	= no en el kit
<b>W/ - WO/</b>	= con/ - sin
<b>Qty</b>	= Unidades
<b>see page /ref.</b>	= ver página/ref.
<b>used with ref.</b>	= empleado con la ref.
<b>0,05 inch thickness</b>	= 0,05 pulgadas de espesor (1 pulgada = 25,4 mm)
<b>weld on</b>	= debe ser soldado

# MAIN FRAME

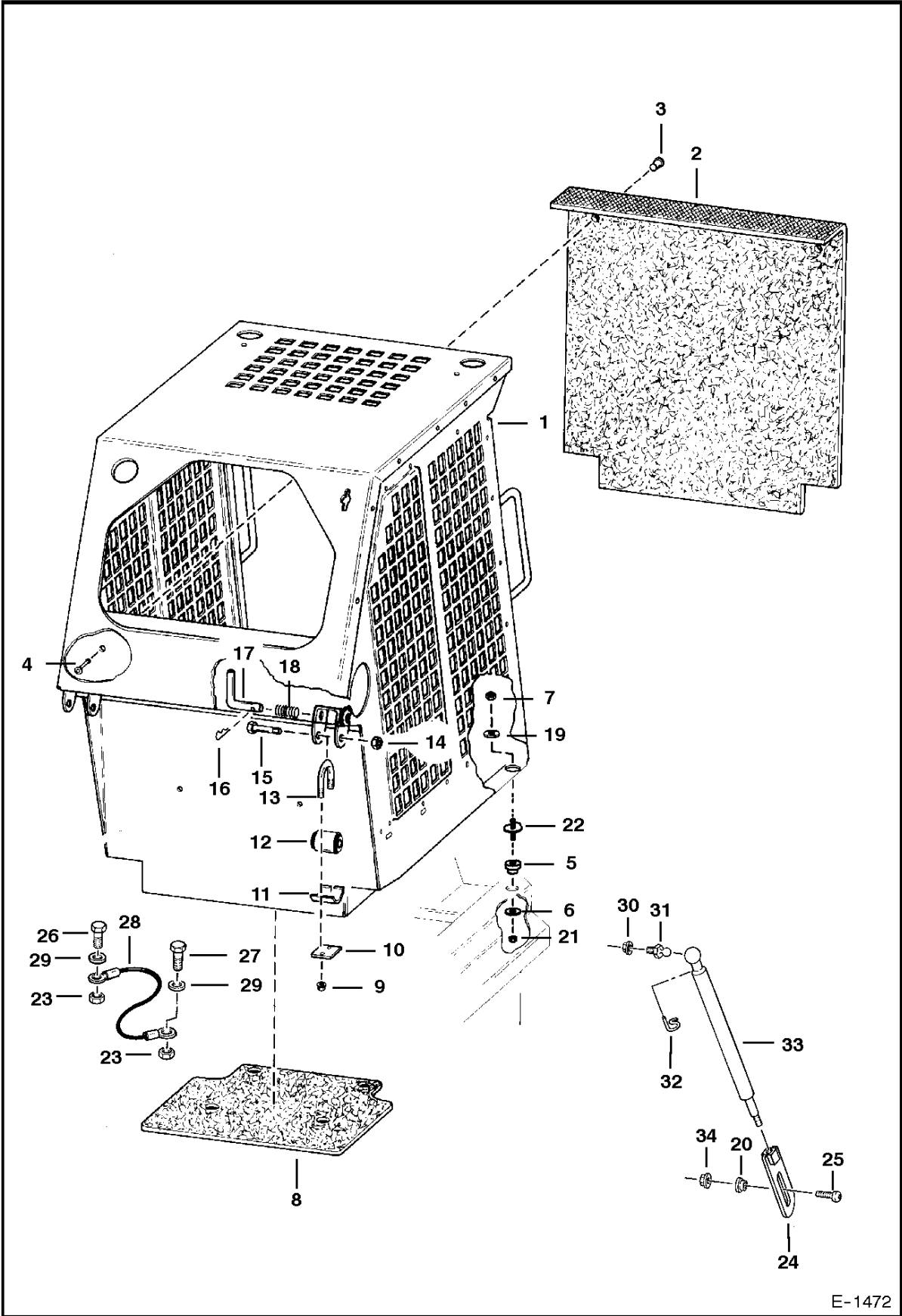


E-1473

## MAIN FRAME

Ref.N°	Part N°	Description	Remarks	Serial N°	Qty.
1		CAB	See Page OPERATOR CAB(1)		1
2		BOB-TACH	See Page BOB-TACH(4)		1
3		LIFT ARM	See Page LIFT ARMS & BOB-TACH(3)		1
4	NAP	MAIN FRAMEinD1F	Order 6713926 And 2 Covers 6714137 - Relocation Of Fuel Filter Is Neccasary - Was 6708125 [A]	5618 11001 & Abv	1
4	6713926	MAIN FRAMEinD1F	May Need To Order Battery Pan 6715086 and (2) 7C-624 bolts	5150 11001 & Abv	1
5	37C-820	BOLT			12
6	6564185	COVER		5618 11001 & Abv	2
6	NAP	COVER	SEE BTI 327 - Order 6718144 -	5150 12634 & Bel	2
6	6718144	COVER		5150 12635 & Abv	2
7	84G-3712	BOLT			4
8		TIRES & RIMS	See Page TIRES & RIMS(1)		4
9	6561152	NUT			20
10	83D-8	NUT			12
11	6706429	CHAINCASE			1
12		REAR DOOR	See Page REAR DOOR(2)		1
13	6564340	PIN			2
14	6564192	PIN			1
15	6564681	WEIGHT			1
16	17C-828	BOLT			2
17	57D-8	NUT			2
18	6563829	BUSHING	Weld On		8
19	6731121	PLUG	Was 11F-12 [A]		1

OPERATOR CAB



E-1472

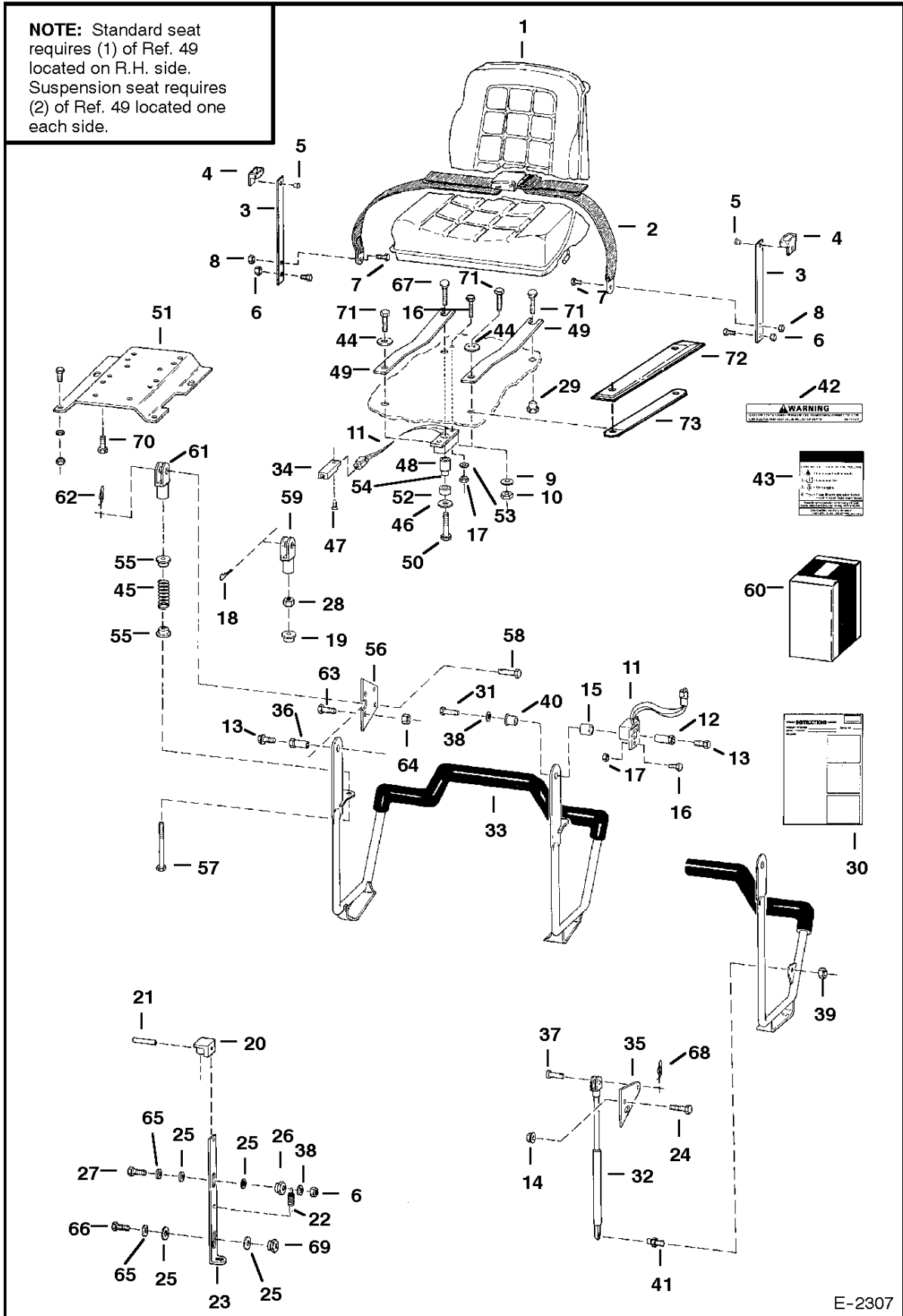
## OPERATOR CAB

Ref.N°	Part N°	Description	Remarks	Serial N°	Qty.
1	6708601	OPERATOR CAB			1
2	6708486	INSULATION	Was 6565199 [A]		1
3	6563156	SLEEVE			2
4	6630207	RIVET			2
5	6560633	MOUNT	rubber		2
6	6515817	WASHER			2
7	59D-8	NUT			2
8	6708487	INSULATION			1
9	83D-6	NUT			4
10	6565068	PLATE			2
11	6563997	RETAINER			2
12	6562602	BUSHING			2
13	6563998	U-BOLT			2
14	85D-10	NUT			2
15	17C-1048	BOLT			2
16	1306637	PIN			1
17	6593389	PIN			1
18	6593390	SPRING			1
19	6553709	WASHER			2
20	6706272	BUSHING			2
21	85D-8	NUT			2
22	6702971	BOLT			2
23	61D-5	NUT			2
24	6706092	END	gas spring		1
25	25G-616	BOLT			1
26	17C-512	BOLT			1
27	84G-3112	BOLT			1
28	6594283	WIRE			1
29	25E-15	WASHER			2
30	83D-5	NUT			2
31	6706519	STUD	ball		2
32	6706520	RING	retaining		2
33	6664206	GAS SPRING			1
34	95D-6	NUT	Was 91D-6 [A]		2



# SEAT & SEAT BAR

**NOTE:** Standard seat requires (1) of Ref. 49 located on R.H. side.  
Suspension seat requires (2) of Ref. 49 located one each side.



E-2307

## SEAT &amp; SEAT BAR

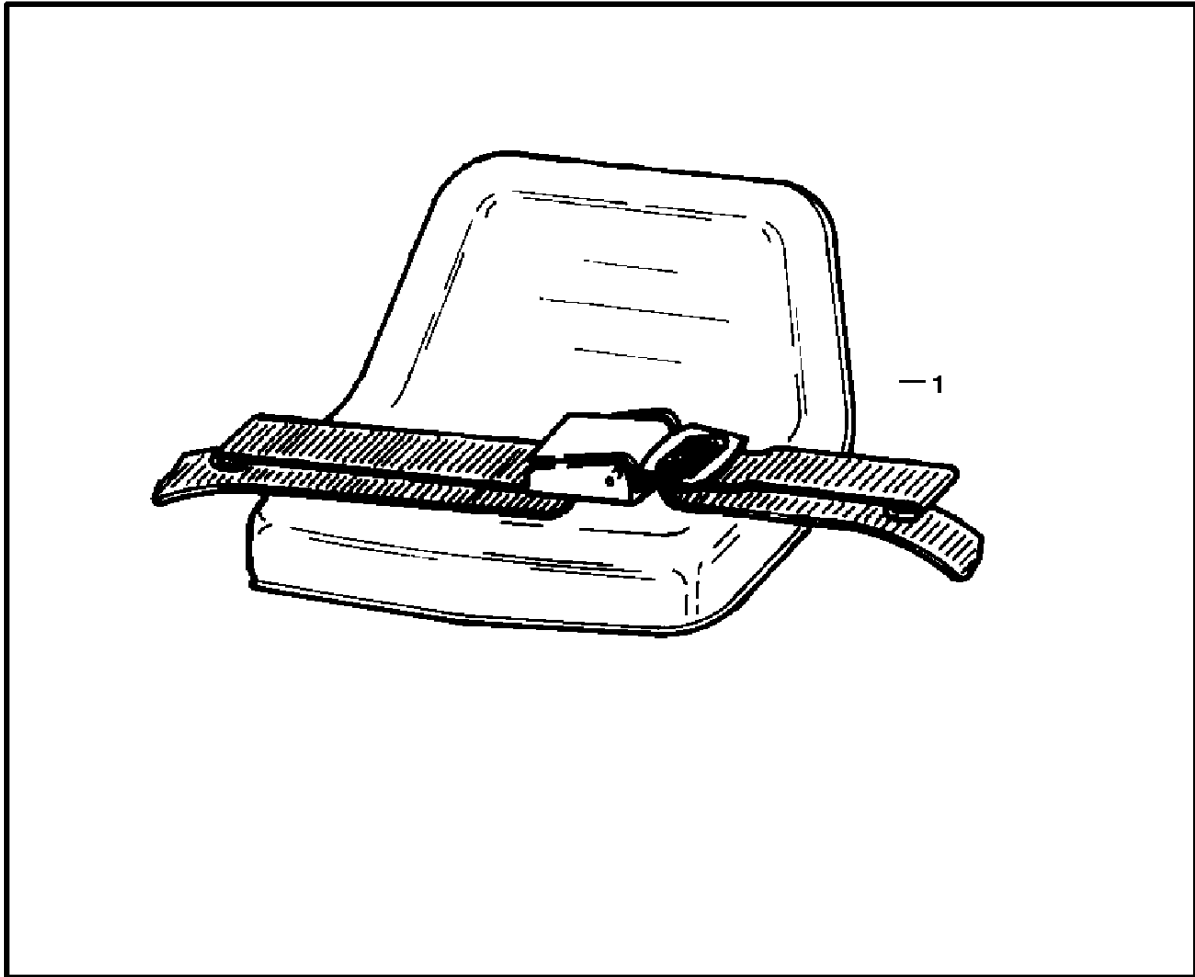
Ref.N°	Part N°	Description	Remarks	Serial N°	Qty.
1		SEAT	See Page SEAT(1)		1
2	NAP	SEAT BELT	Order 6725403 - Was 6564774 [A]		1
2	NAP	SEAT BELT	Order 6725403 - Was 6667875 [A]		1
2	NAP	SEAT BELT	w/spring plates - Order 6675074 seat belt & (2) of Ref. SEAT & SEAT BAR(3) (6725373 seat belt) - Was 6725403 [A]		1
2	6675074	SEAT BELT	w/o spring plates		1
3	NAP	GUIDE ASSY	W/Ref. SEAT & SEAT BAR(4) & SEAT & SEAT BAR(5) - 13.75' (349,2 mm) Used W/NAP 6564774 seat belt - Was 6565354 [A]		2
3	NAP	GUIDE ASSY	W/Ref. SEAT & SEAT BAR(4) & SEAT & SEAT BAR(5) - 12.25' (311,1 mm) Used W/NAP 6667875 seat belt - !Order 6711908 spring plate,		2
3	6711908	SPRING PLATE	Use W/Ref. SEAT & SEAT BAR(2) (NAP/6667875)		2
3	6725373	SPRING PLATE	Use W/Ref. SEAT & SEAT BAR(2) (6675074 seat belt)		2
4	6565355	GUIDE			2
5	6630207	RIVET			4
6	85D-6	NUT			4
7	17C-715	BOLT			2
8	85D-7	NUT			2
9	6701174	WASHER			2
10	61D-5	NUT		5618 11001 & Abv	2
10	59D-5	NUT		5150 12400 & Abv	4
11	6670652	SENSOR	Also Order Ref. SEAT & SEAT BAR(54) - Was 6667690 [A]		2
12	6706685	BUSHING			1
13	35C-608	BOLT		5618 11001 & Abv!	2
13	35C-612	BOLT		5150 11120 & Abv'	2
14	83D-6	NUT			6
15	6671135	BUSHING	Was 6670688 [A]		2
16	35C-410	BOLT	fastens thru tab - 5/8' (15,9 mm)		2
16	17C-428	BOLT	fastens thru body -13/4'(44.4mm) - Was 6710539 [A]		2
17	83D-4	NUT	fastens thru tab		2
17	50D-12	NUT	fastens thru body		1
18	1306637	PIN		5150 11119 & Bel	1
18				5151 11027 & Bel	1
19	6571991	WASHER		5150 11120 & Abv	2
19				5151 11028 & Abv	2
20	6702343	BLOCK	Was 6563148 [A]		2
21	14J-2512	PIN			2
22	6594284	SPRING	Was 6702430 [A]		2
23	6704557	LOCK	L.H.		1
23	6704556	LOCK	R,H.		1
24	17C-624	BOLT	Was 17C-612 [D]		4
25	6700170	WASHER	plastic		8
26	6559479	NUT			4
27	17C-624	BOLT	Was 17C-612 [B]		4
28	8D-6	NUT	jam	5150 11120 & Abv	2
28				5151 11028 & Abv	2
29	6707319	NUT	spacer		1
30	6722392	INSTRUCTIONS	For Ref. SEAT & SEAT BAR(28)		1
31	17C-608	BOLT		5150 11120 & Abv	2
31				5151 11028 & Abv	2
32	6664207	GAS SPRING		5618 11001 & Abv	1
32				5619 11001 & Abv	1
32				5150 11119 & Bel	1
32				5151 11027 & Bel	1

## SEAT &amp; SEAT BAR

Ref.N°	Part N°	Description	Remarks	Serial N°	Qty.
33	6707717	SEAT BAR	for use W/Gas Spring	5618 11001 & Abv	1
33				5619 11001 & Abv	1
33				5150 11119 & Bel	1
33				5151 11027 & Bel	1
33	NAP	SEAT BAR	for use W/Compression Spring -	5618 11001 & Abv	1
33	6713886	SEAT BAR	for use W/ compression spring	5150 11120 & Abv	1
33				5151 11028 & Abv	1
34	6665000	CLIP			1
35	6708595	BRACKET			1
36	6706962	BUSHING			1
37	4F-5062	PIN			1
38	25E-17	WASHER		5618 11001 & Abv	3
38				5619 11001 & Abv	3
38				5150 11119 & Bel	3
38				5151 11027 & Bel	3
38	25E-17	WASHER		5150 11120 & Abv	5
38				5151 11028 & Abv	5
39	85D-5	NUT			1
40	6664882	BUSHING	keyed		2
41	6649244	BALL STUD			1
42	6577754	DECAL	warning		1
43	6707134	DECAL	instruction for LCS		1
44	6706890	WASHER		5150 11120 & Abv	2
44				5151 11028 & Abv	2
45	6701535	SPRING		5150 11120 & Abv	2
45				5151 11028 & Abv	2
46	25E-16	WASHER			1
47	6664221	RETAINER			1
48	6710751	BUSHING	spacer		1
49	6706966	SPRING	plate		1
50	17C-508	BOLT			2
51	6594257	BRACKET		5618 11001 & Abv	1
51				5619 11001 & Abv	1
51				5150 12399 & Bel	1
51				5151 12399 & Bel	1
52	6666608	BUSHING	tapped magnetic		1
53	25E-10	WASHER			1
54	6664881	KEY	magnet bushing		1
55	6710659	BUSHING		5618 11001 & Abv	2
55				5619 11001 & Abv	2
55				5150 11119 & Bel	2
55				5151 11027 & Bel	2
55	6710659	BUSHING		5150 11120 & Abv	4
55				5151 11028 & Abv	4
56	6710660	MOUNT		5150 11120 & Abv	2
56				5151 11028 & Abv	2
57	6713887	BOLT	Was 6711897 [A]	5150 11120 & Abv	2
57				5151 11028 & Abv	2
58	4F-6106	PIN		5150 11120 & Abv	2
58				5151 11028 & Abv	2
59	2J-6208	CLEVIS		5150 11120 & Abv	2
59				5151 11028 & Abv	2
60	NAP	KIT	Order Ref. SEAT & SEAT BAR(2) - Was 6713061 [A]		1
61	6713589	CLEVIS		5150 11120 & Abv	2
61				5151 11028 & Abv	2

## SEAT &amp; SEAT BAR

Ref.N°	Part N°	Description	Remarks	Serial N°	Qty.
62	6631418	PIN		5150 11120 & Abv	2
62				5151 11028 & Abv	2
63	17C-712	BOLT		5150 11120 & Abv	2
63				5151 11028 & Abv	2
64	91D-7	NUT		5150 11120 & Abv	2
64				5151 11028 & Abv	2
65	872229	WASHER			2
66	35C-616	BOLT			2
67	35C-516	BOLT			1
68	6631418	PIN	ring	5618 11001 & Abv	1
68				'5619 11001 & Abv	1
68				5150 11119 & Bel	1
68				5151 11027 & Bel	1
69	6594298	NUT			2
70	17C-510	BOLT		5618 11001 & Abv	4
71	17C-516	BOLT		5618 11001 & Abv	3
72	6711729	COVER			2
73	6711730	STRIP			2
74	17C-512	BOLT		5150 12400 & Abv	2
75	37C-516	BOLT		5150 12400 & Abv	2

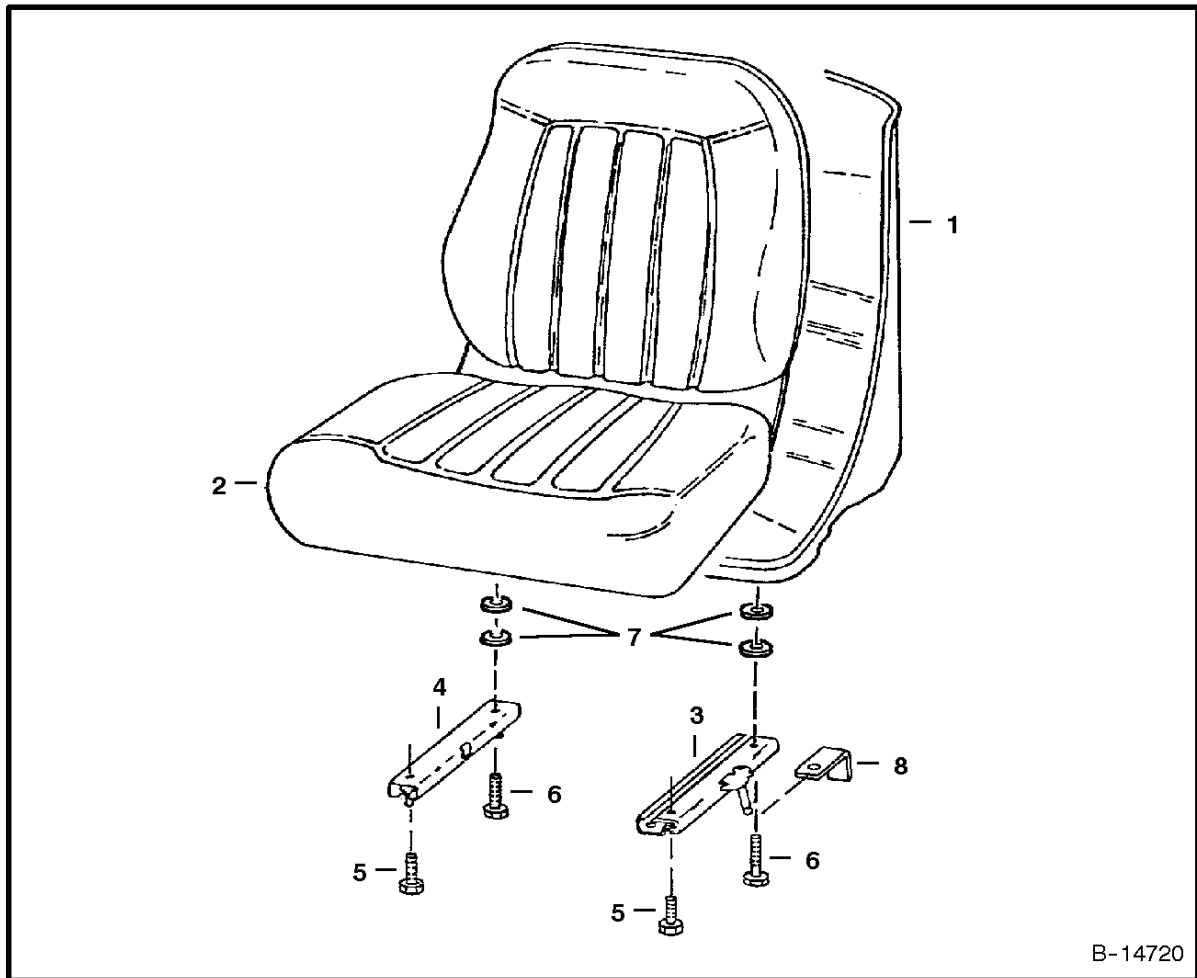


**SEAT**  
(5618 11001 & Above, 5619 11001 & Above)  
(5150 11001- 13252, 5151 11001- )

<b>Ref. Part</b>	<b>Description</b>	<b>Remarks</b>	<b>Serial Number</b>	<b>Qty.</b>
<b>No. Number</b>				

## SEAT

Ref.N°	Part N°	Description	Remarks	Serial N°	Qty.
1	6591598	SEATinD1J	Milsco - 10 3/4' from base		1
1	6643253	SEAT	Michigan		1
2	6672715	SPACER	Was 7000010 [A]		4
3	6668953	BRACKET	See S/L Dated 16 April 1996		2



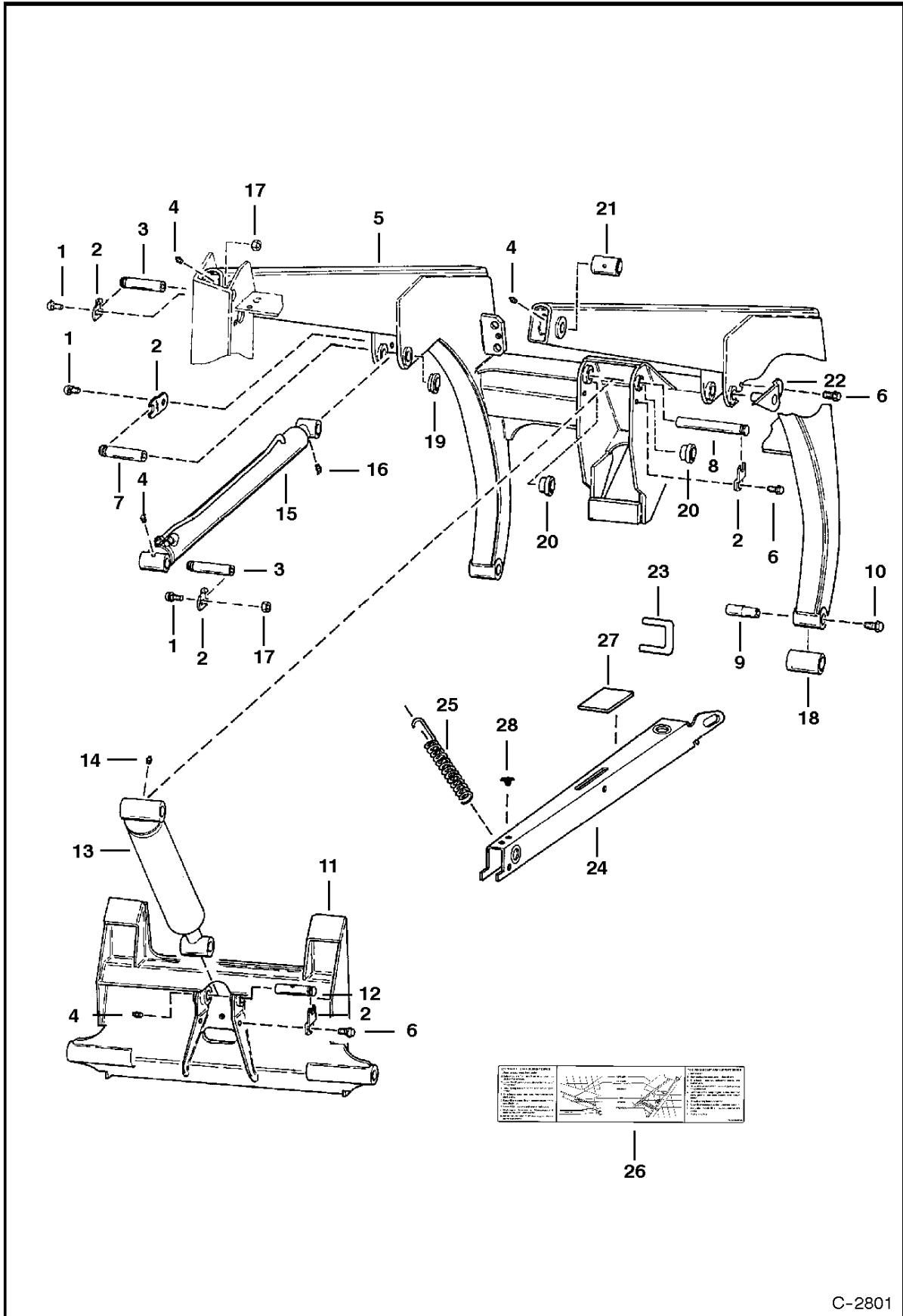
**SEAT**  
**(Michigan)**  
**(5150 13253 & Above, 5151 & Above)**

Ref. Part No. Number	Description	Remarks	Serial Number	Qty.
-------------------------	-------------	---------	---------------	------

Ref.N°	Part N°	Description	Remarks	Serial N°	Qty.
1		NAPinD1}}	SEAT	W/Ref. ref15dbOodave-ref1LdbOodave & ref1WdbOodave - Order 6	81
1	6669135	SEAT	W/Ref. SEAT(2)-SEAT(2)		1
2	6670160	CUSHION	W/edging, clip & (2) grommets		1
2	NSS	EDGING			1
2	NSS	CLIP			1
3	NAP	TRACK	L.H. - W/ 8' (203,2 mm) Latch - Was 6669088 [A]		1
3	6674013	TRACK	L.H. - W/ 10' (254mm) Latch		1
4	6669089	TRACK	R.H. - W/O Latch		1
5	25G-512	BOLT	6669135 Seat uses (2) bolts		4
6	25G-520	BOLT			2
7	6672715	SPACER			4
8	6668953	BRACKET			1



# LIFT ARMS & BOB-TACH

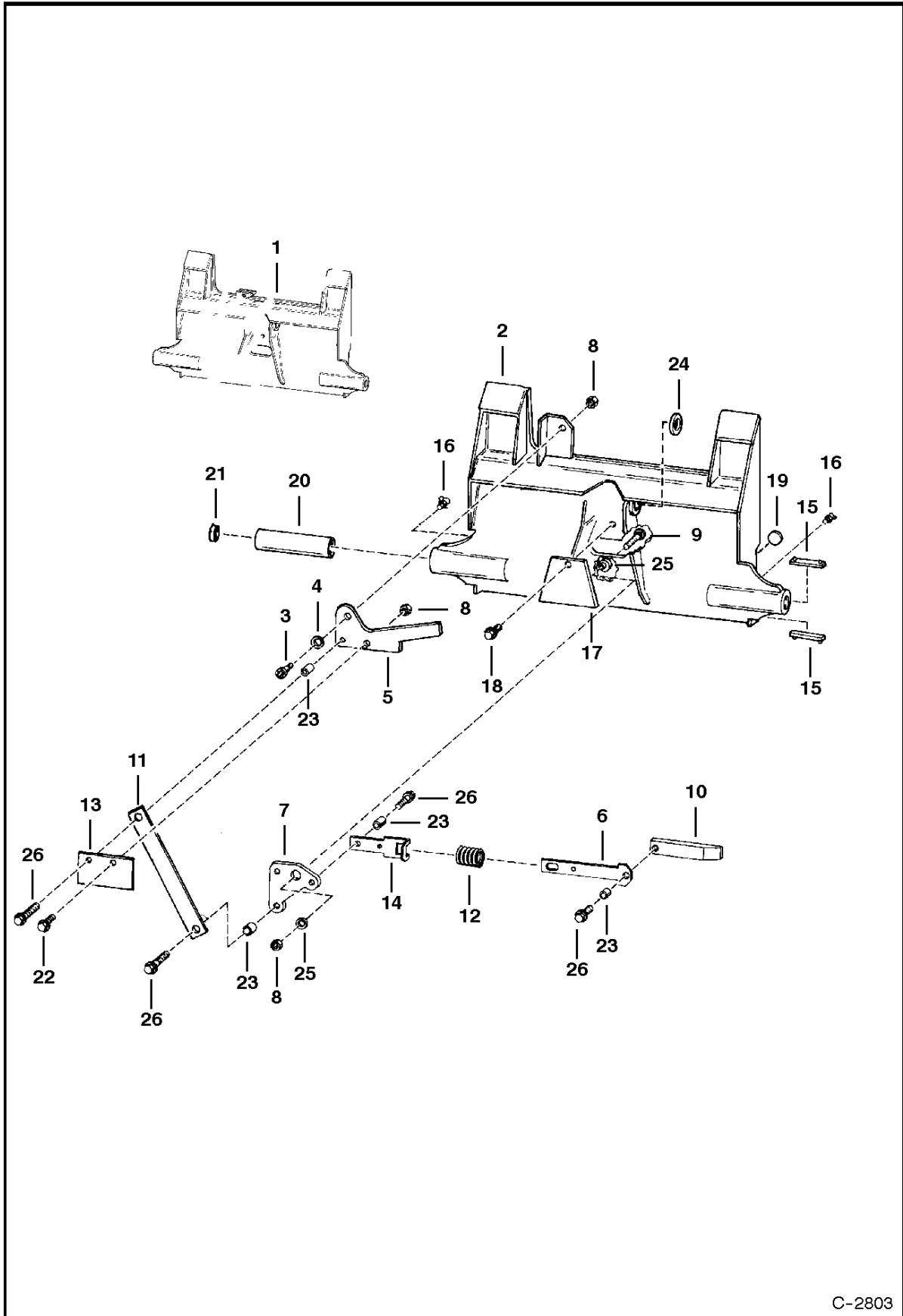


C-2801

## LIFT ARMS &amp; BOB-TACH

Ref.N°	Part N°	Description	Remarks	Serial N°	Qty.
1	10C-512	BOLT	Was 6553808 [A]		4
2	6586307	RETAINER	Was 6563850 [A]		8
3	6563848	PIN			4
4	10H-25	GREASE ZERK			3
5	6563844	LIFT ARMinD1L	Also Order 6579528, 6569233 6565257, 6565258		1
6	84G-3712	BOLT			4
7	6563847	PIN			2
8	6563846	PIN			1
9	6564198	PIN			2
10	47C-832	BOLT	Was 17C-828 [B]		2
11		BOB-TACH	See Page BOB-TACH(4)		1
12	6563845	PIN			1
13		CYLINDER	tilt - See Page TILT CYLINDER(1)		1
14	10H-35	GREASE ZERK			1
15		CYLINDER	lift - See Page LIFT CYLINDER(1)		2
16	11H-25	GREASE ZERK			4
17	83D-5	NUT			4
18	6563832	BUSHING	Weld On		2
18			Painted Only		1
19	6563829	BUSHING	Weld On		4
20	6563830	BUSHING	Weld On		2
21	6563831	BUSHING	Weld On		2
22	6706663	PIN			1
23	6714811	PIN	Retainer - Was 6706660 [A]		1
24	6728115	SUPPORT	Lift arm - Was 6706667 [A]		1
25	6579072	SPRING	For lift arm support - Was 6700743 [A]		1
26	6711659	DECAL	Was 6706669 [A]		1
27	6704436	PAD			1
28	6519178	BUMPER			1

# BOB-TACH

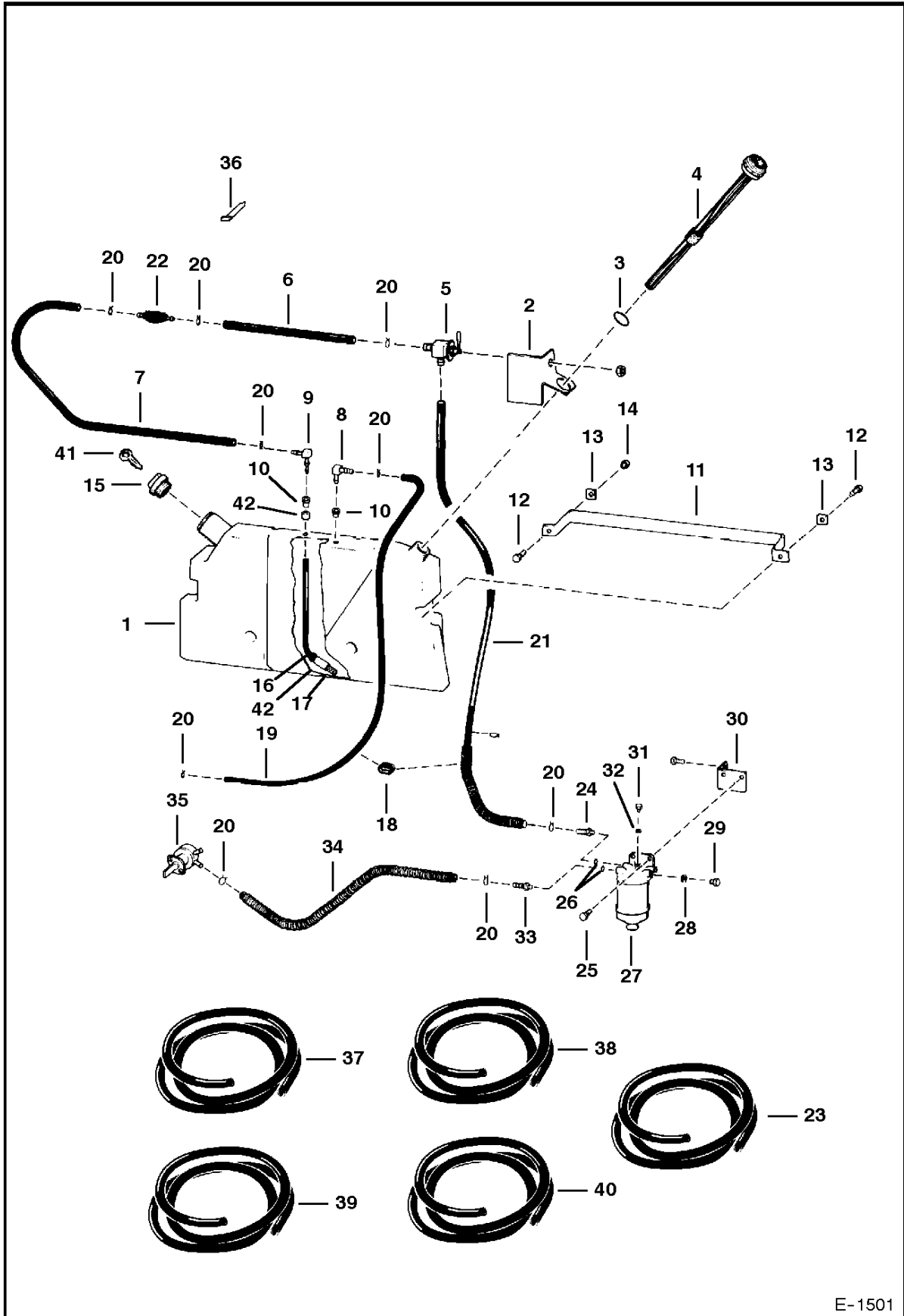


C-2803

## BOB-TACH

Ref.N°	Part N°	Description	Remarks	Serial N°	Qty.
1	6529478	BOB-TACHinD1}#			1
2	NAP	FRAME			1
3	38C-810	BOLT			3
4	25E-21	WASHER			1
5	6529720	LEVER			1
6	6529716	LINK	wedge		2
7	NAP	BELLCRANK	Use With 6529719 Link - Order 6531832 & 6531833		1
7	6531832	BELLCRANK	Use With 6531833 Link		1
8	85D-6	NUT			3
9	17C-632	BOLT			1
10	6563909	WEDGE			2
11	NAP	LINK	11.40" (290 mm) - Order 6531832 & 6531833		1
11	6531833	LINK	11.20" (284 mm)		1
12	6565156	SPRING			2
13	6529721	SEAL			1
14	6529718	RETAINER	spring		2
15	6562026	INSERT			4
16	12H-15	GREASE ZERK			2
17	6565192	COVER			1
18	84G-3712	BOLT			1
19	215842	PLUG			2
20	6565160	BUSHING	weld on		2
21	1990599	SEAL			2
22	35C-616	BOLT			1
23	6636022	SPACER			6
24	6563830	BUSHING	weld on		2
25	25E-18	WASHER			1
26	35C-612	BOLT			6

FUEL SYSTEM  
(5618 11001 - & 5619 11001 -)



**Thank you very much  
for your reading.**

**Please Click Here**

**Then            Get            More  
Information.**